

BLUEBIRD HOUSE

MATERIAL REQUIRED

Wood- 1" White Pine

1 piece 5"X5" with 1/4" drainage holes ----- Bottom
1 piece 5"X10" with 1-1/2" diameter entrance hole ----- Front
1 piece 7"X9" ----- Back
1 piece 8"X10' ----- Top
2 pieces 6"X9" with 1/4" vent holes ----- Sides
1 piece 2"X14" with 1/4" nailing holes (optional) ----- Back
Mounting Board

HARDWARE

8d Box Nails
1 Wing Nut
1 Pipe Flange with 8 feet of 1-1/2" pipe (optional)

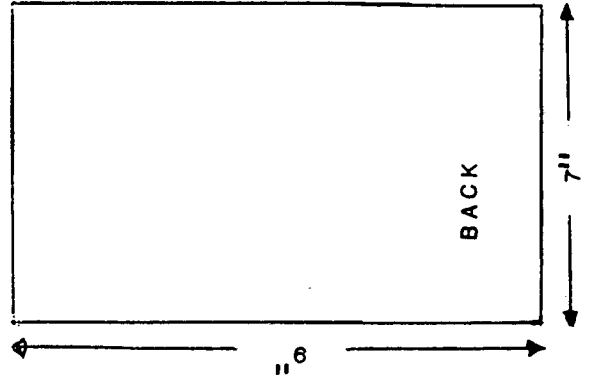
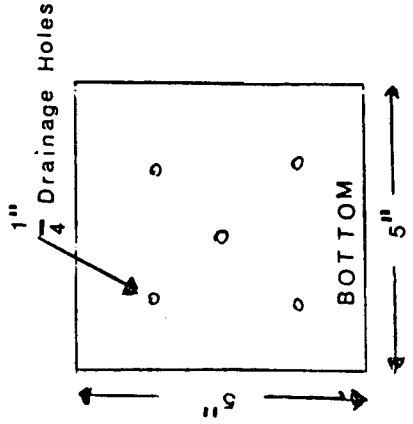
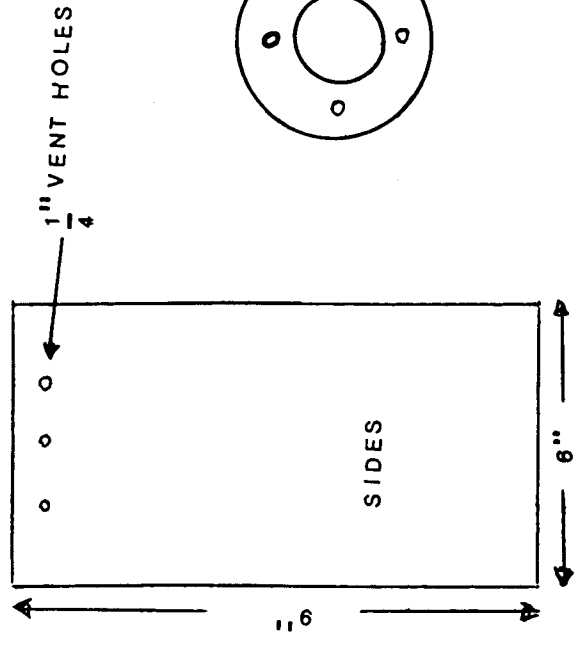
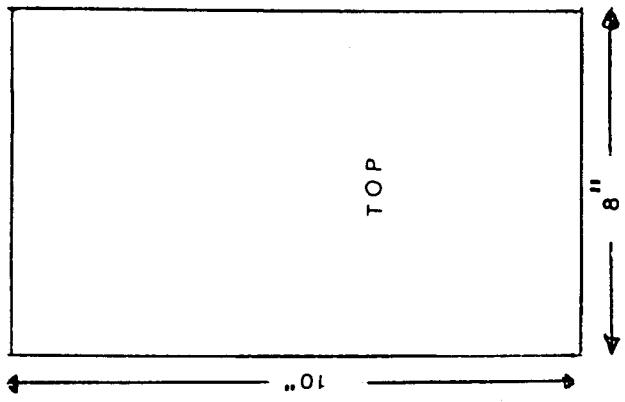
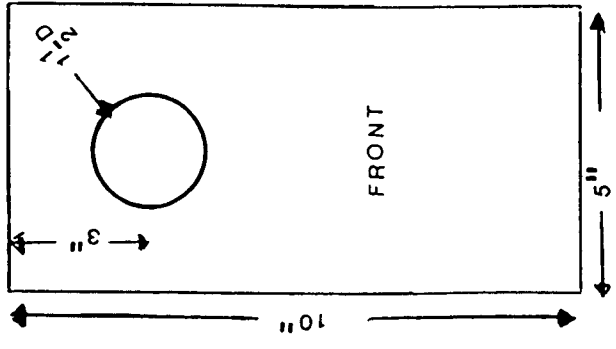
ASSEMBLY

1. Drill all holes per diagram.
2. Nail sides to bottom section - flush at back - front of sides to protrude 1".
3. Nail back piece to sides and bottom.
4. Nail top - flush at back - with overhang on sides and front.
5. Fit front section and nail, with hinge nails, as shown - front should protrude 1" below bottom for easy swing open.
6. Attach wing nut as shown to hold front securely closed.

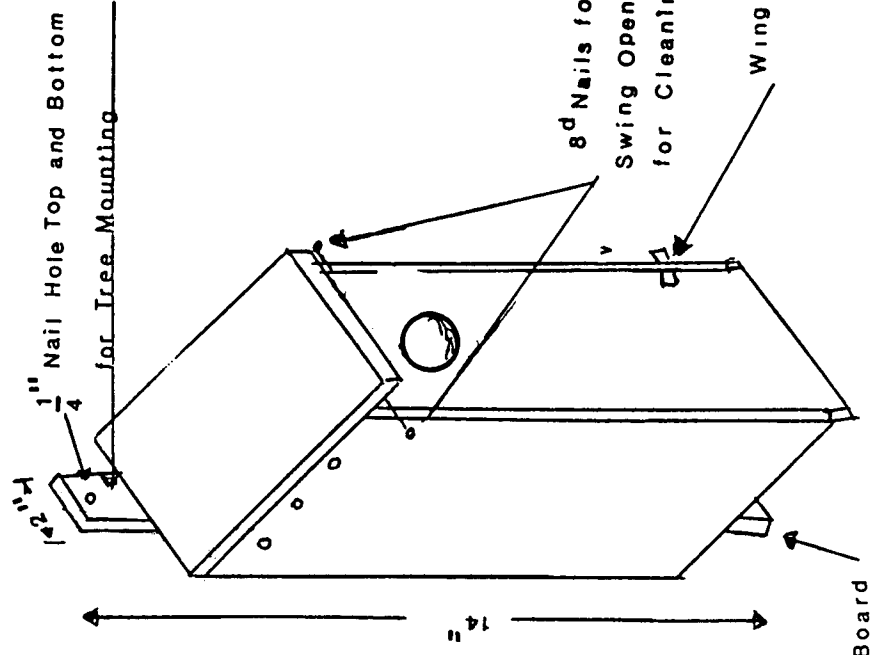
Optional mounting:

For Tree Mounting: Attach back mounting board to house.

For Free Standing Pipe Mounting: Attach flange to bottom of house. Drive pipe 3 feet into ground, then thread top of pipe onto flange.



Pipe Flange on Bottom
or
Back Mounting Board
Optional



BLUEBIRD HOUSE

Norcross Wildlife Sanctuary
30 Peck Road
Monson, MA 01057